



RapidRun® CL2-Rated PC Runner Cable

- CL2-Rated cable for in-wall use
- Connector equipped with a protective pulling cap capable of 30 pounds of pulling tension
- Three 28 AWG coaxial cables with braided copper shielding, three 24 AWG twisted pair, and a single 24 AWG pair
- Supports resolutions up to 1600 x 1200 (UXGA)
- Lifetime Warranty

Specifications: RapidRun® CL2-Rated PC Runner Cable

Electrical Characteristics:

3 Coax Conductors

Impedance:	10 MHz 75 ± 5 Ohm	
Capacitance:	18 pF/ft nom	
DC Resistance:	237.25 Ohms/km at 20C max.	
Dielectric Strength:	500VAC/minute	
Insulation Resistance (500V):	10 Mohm/KM min. at 20C	
Velocity of Propagation:	76%	
Attenuation (nominal):	Frequency	<u>dB/100 ft</u>
	200 MHz	<2.10
	300 MHz	<2.60
	400 MHz	<3.00

3 Twisted Pairs + 2 Conductors

DC Resistance:	93.25 Ohms/m at 20°C
Dielectric Strength:	750VAC/minute min.
Insulation Resistance:	100 Mohm/KM at 20°C

Physical Characteristics:

Voltage Rating :	30V
Temperature Rating :	80°C
Tensile Strength:	Unaged: 1500PSI min; Aged: 70% min
Elongation:	Unaged: 100% min; Aged: 65%
Heat Shock Test:	No cracking
Cold Bend Test:	No cracking
Deformation Test:	Min. 50%
Flame test:	Pass VW-1

Approvals: RoHS Compliant

Warranty: Lifetime

Package Type: Polybag

Item	Description	Weight (Lbs)
42134	6ft RapidRun CL2-Rated PC Runner Cable	0.66
42135	10ft RapidRun CL2-Rated PC Runner Cable	0.96
42136	15ft RapidRun CL2-Rated PC Runner Cable	1.74
42137	25ft RapidRun CL2-Rated PC Runner Cable	2.9
42138	35ft RapidRun CL2-Rated PC Runner Cable	4.06
42139	50ft RapidRun CL2-Rated PC Runner Cable	5.8
42140	75ft RapidRun CL2-Rated PC Runner Cable	8.7
42141	100ft RapidRun CL2-Rated PC Runner Cable	11.6
42142	125ft RapidRun CL2-Rated PC Runner Cable	14.5
42143	150ft RapidRun CL2-Rated PC Runner Cable	17.4

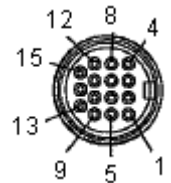
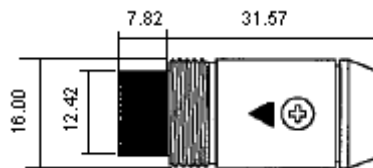
Cable Specifications: RapidRun® CL2-Rated PC Runner Cable

Conductor (Qty. 3):

Conductor Type:	28 AWG 7/0.12 Tinned Copper O.D.: .015"
Insulation:	Minimum Avg. Thickness: 0.19" Foamed PE O.D.: .062"
Shield:	Braided Tinned Copper .336"
Covering:	Minimum Avg. Thickness: .009" 80°C PVC: (1) red, (1) blue, (1) green O.D.: .09"

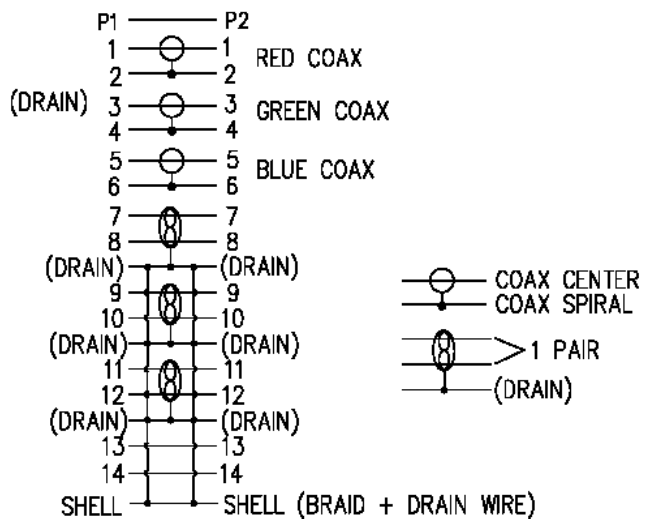
Connector (Qty. 2):

Connector Type:	DIN 15 pin
Gender:	Female
Contact Material:	Gold Flash
Insulation:	Black PBT



Conductor (Qty. 3 pair + 2 conductors):

Conductor Type:	24 AWG Tinned Copper .049"
Insulation:	Minimum Avg. Thickness: .009" SR-PVC Low Toxic (1) black + black/white, (1) brown + brown/white, (1) red + red/white, (1) orange, (1) yellow O.D.: .043"
Mylar Shield:	Coverage: 100% Overlap: 25% Minimum
Drain:	24 AWG Tinned Copper O.D.: .055"



Overall Cable:

Aluminum Mylar Shield:	Coverage: 100% Overlap: 25% Min.
Drain Wire:	24 AWG Tinned Copper .049"
Copper Shield:	Braided Tinned Shield .864"
Jacket:	Minimum Avg. Thickness: .76mm Matt PVC CL2-813 Black Low Toxic O.D.: .354" Yellow heat shrink tube attached

